

Standoff Insulators are moulded flame- resistant, fiberglass – reinforced thermoset polyester moulding compound

They are shatter resistant and have a closer height tolerance than is commonly available in porcelain insulators. Moisture and heat resistance properties of these Insulators

Standoff Insulators are primary used to insulate and support bus bar or grounding bars used in high voltage power transmission including panel boards and switchboards.

Features & Benefits	Applications
<ul style="list-style-type: none">• High Strength – shatter, moisture, and flame resistant• Closer height tolerances• With brass mounting and female threads• Barrel or Straight shaped	<ul style="list-style-type: none">• Switchboards• Electrical panels• Bus bar and grounding bar supports• Indoor use or inside a suitable enclosure

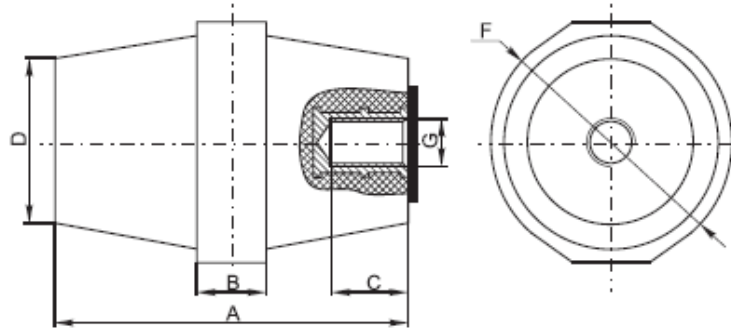
Technical Data

Density	1,75-1,95g/cm ³
Water absorption	Max. 0.2%
shrinkage rate	Max. 15%
tensile strength	Min 425Kg/cm ²
Impact strength	Min 25Kg/cm ²
Flexural strength	Min. 800kg/cm ²
Surface resistivity	1*10 ¹³ Ω
Volume resistivity	1*10 ¹² Ω. m
electrical strength	min. 12KV/mm
Flammability	94V0
Track resistance	Min.1 KV
Loss factor	Max. 0.015
Arc resistance	Min.180Sec.

Standoff Insulators

SM25 – SM76

MISCO



	Breakdown Voltage KV/mm	Weight	Dimensions (MM)					
			A	B	C	D	F	G
25M6	6	25	25	10	8	23	30	6
30M8	8	30	30	10	9	27	32	8
35M8	10	30	35	10	9	28	32	8
35M10	10	35	35	10	11.5	28	32	10
40M8	12	35	40	10	9	33	40	8
40M10	12	40	40	10	11.5	33	40	10
45M8	14	40	45	10	9	30	36	8
45M10	14	51	45	10	11.5	30	36	10
51M8	15	51	51	12	12	29	36	8
51M10	15	51	51	12	11.5	29	36	10
51M10 (Straight)	15	90	51	0	13	29	0	10
51M12	15	90	51	12	14	29	36	12
60M10	20	90	60	13	11.5	30	30	10
63M10 (Straight)	20	100	60	0	11.5	34	46	10
76M10	25	76	76	15.5	19	35	50	10

MISCO

Mica and Insulating Supplies Co. Pty Ltd

89-91 Licola Crescent,
Dandenong South, Victoria, 3175
Australia

+61 3 9706 5185

info@misco.net.au

All information contained in this data sheet is believed to be reliable and is subject to change due to developments in design, technical specifications, or standards. We advise, however, that customers should separately evaluate the suitability of our products for their application